

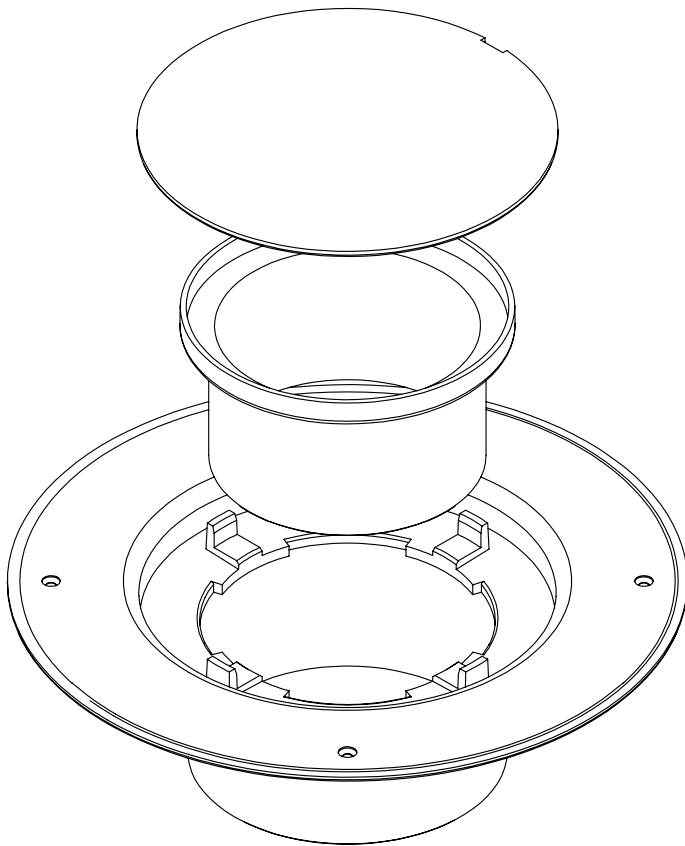
TILTA GRATE

**ANOTHER GRATE
FLOOR WASTE
SOLUTION**

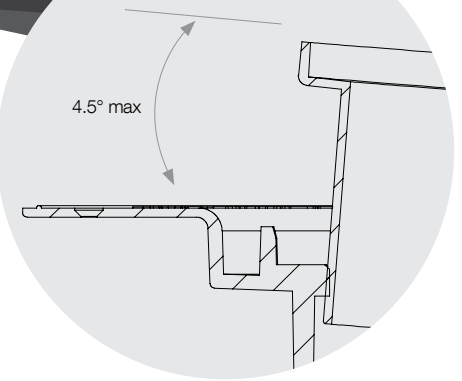


Features

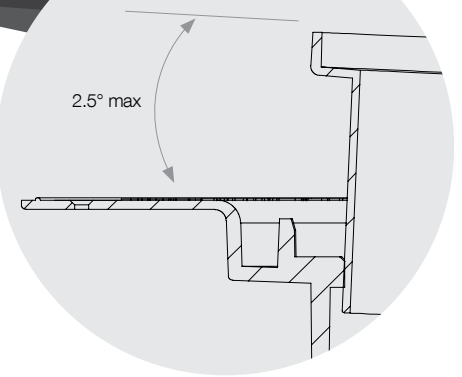
- Angled tilt of grate
- Height adjustable
- Spigot fits inside pipe
- Construction cap supplied
- Comes in 80mm and 100mm
- Drainage path through flange
- Textured finish on flange for adhesion of water-proofing membrane



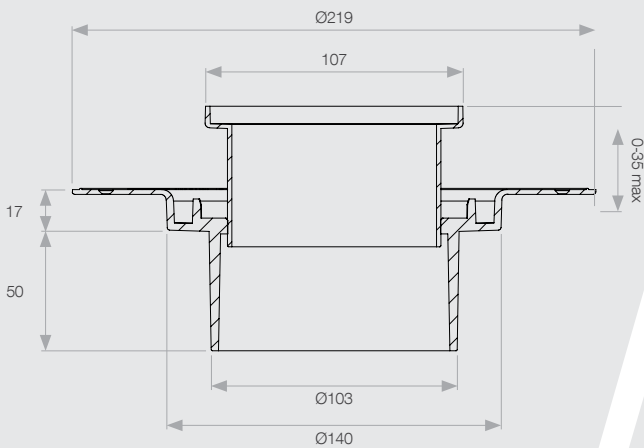
TG100



TG80

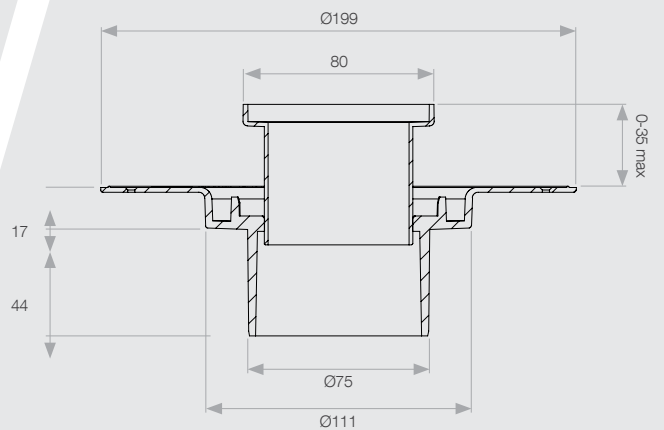


TG100



- > Fits 100mm pipe
- > Adjustable tilt to a max of 4.5°
- > Adjustable height to a max of 35mm

TG80



- > Fits 80mm pipe
- > Adjustable tilt to a max of 2.5°
- > Adjustable height to a max of 35mm