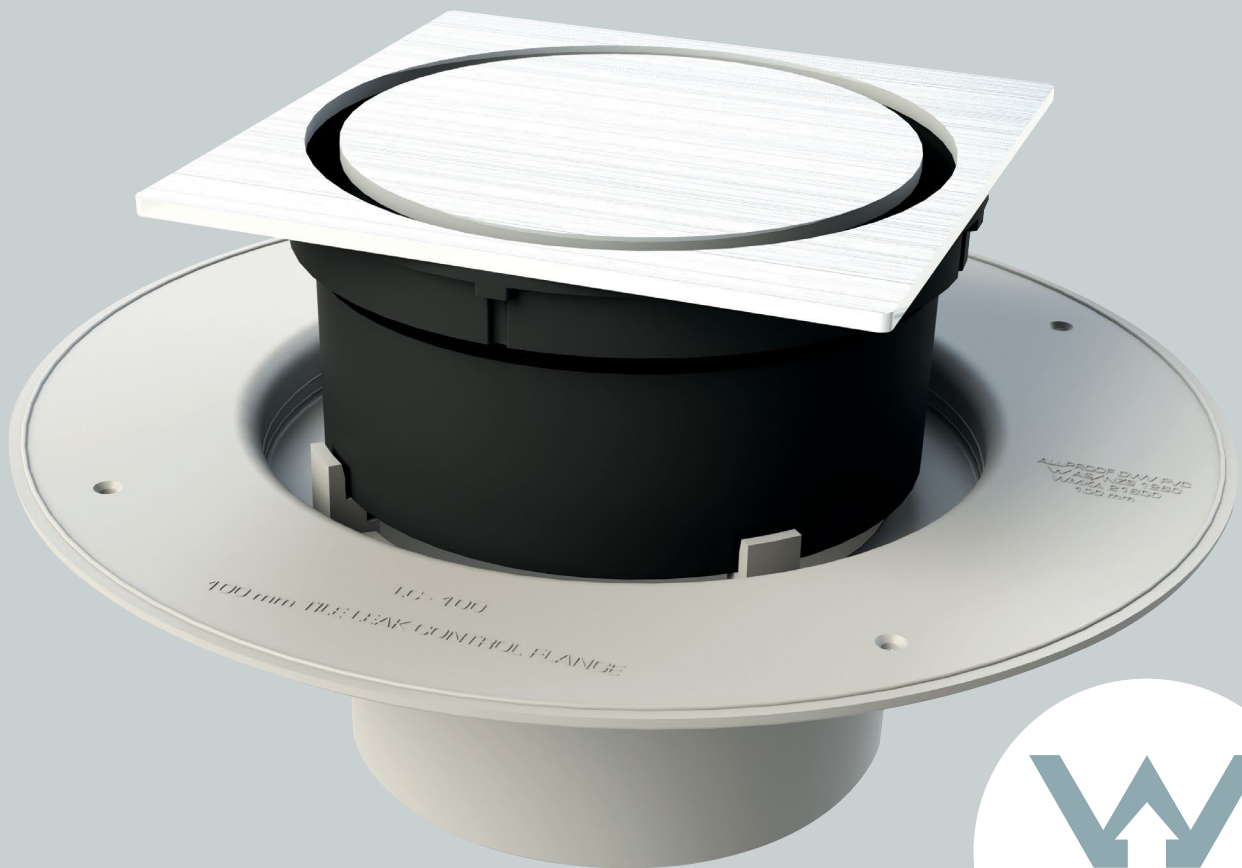


ALLPROOF

I N D U S T R I E S

Tile

FLOOR WASTE



WaterMark

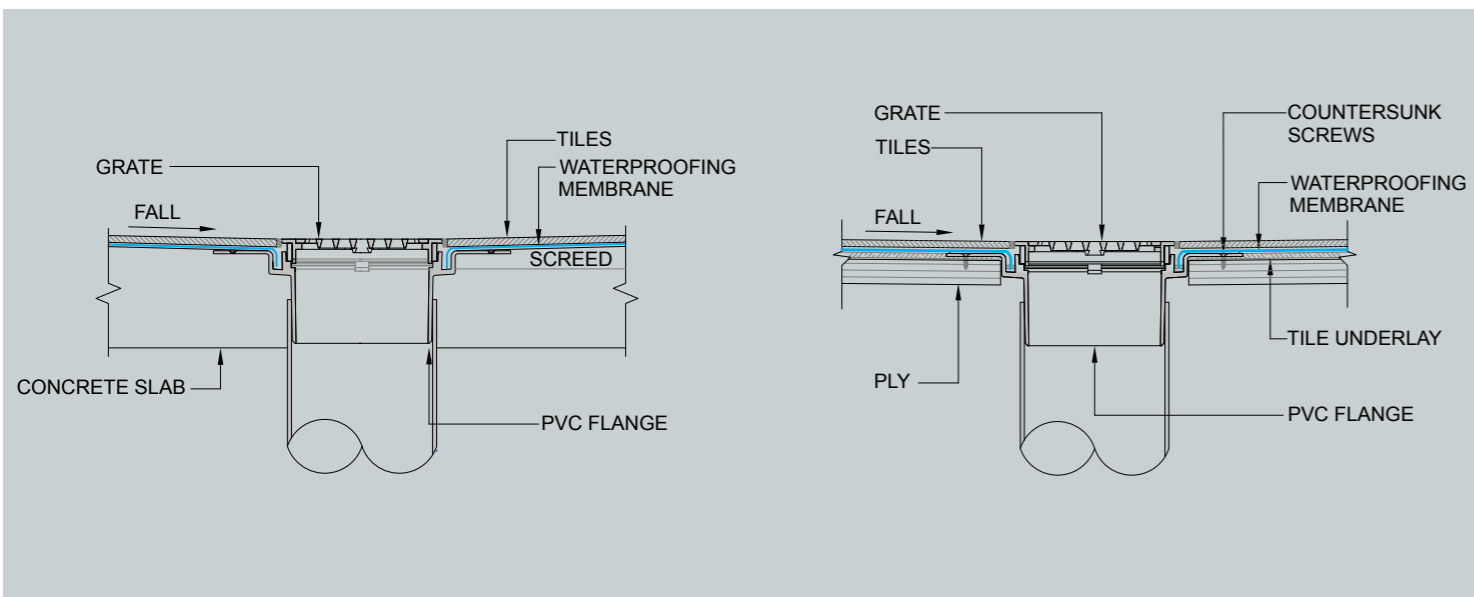
WMKT21223
to ATS5200.040

FEATURES

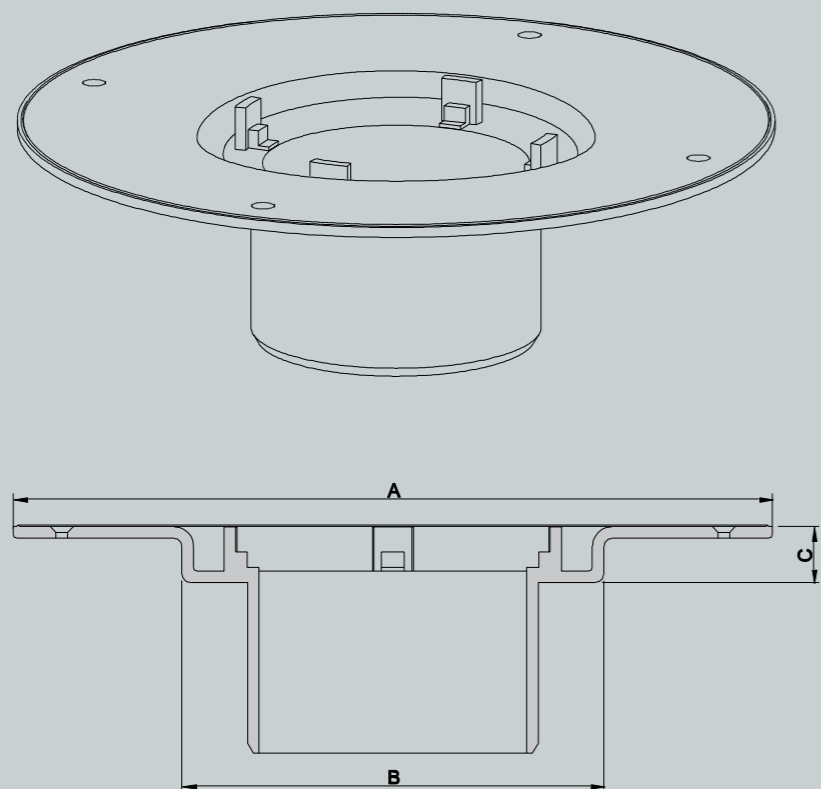
- PVC leak control flange to suit 50mm - 100mm pipe sizes
- Flange features locating lugs for floor waste grate
- Locating lugs allow sub-tile moisture to escape through DWV pipe system
- Flange area provides excellent bonding surface for waterproofing membrane
- Round or square grate features height adjustable plastic spigot

CONCRETE FLOOR INSTALL

WOODEN FLOOR INSTALL



TILE FINISH PVC LEAK CONTROL FLANGE



Nominal Pipe Size	50mm x 90°	50mm	65mm	80mm	100mm
Product Code	LC-50x90	LC-50	LC-65	LC-80	LC-100
Flange Diameter mm (a)	198	193	194	199	219
Step Down Diameter mm (b)	109	109	109	109	138
Step Down Depth mm (c)	14	17	16	15	17
Connection Type	90° Socket	Socket	Spigot	Spigot	Spigot
To fit grate size	80mm	80mm	80mm	80mm	100mm

Construction caps to suit all LC Flanges are available.

GRATE FINISHES : STAINLESS



Elegance

	204.80SSO	80mm Elegance Wire
	204.100SSO	100mm Elegance Wire
	204.80SS1	80mm Elegance Globe
	204.100SS1	100mm Elegance Globe
	204.80SS2	80mm Elegance Cross
	204.100SS2	100mm Elegance Cross
	204.80SS3	80mm Elegance Wave
	204.100SS3	100mm Elegance Wave
	204.80SS4	80mm Elegance Quarter
	204.100SS4	100mm Elegance Quarter
	204.80SS5	80mm Elegance Straight
	204.100SS5	100mm Elegance Straight
	204.80SS6	80mm Elegance Diagonal
	204.100SS6	100mm Elegance Diagonal
	204.80SS7	80mm Elegance Plate
	204.100SS7	100mm Elegance Plate

Kaiteri SS

	KT80SRSS	80mm Round in Square Stainless Kaiteri
	KT100SRSS	100mm Round in Square Stainless Kaiteri
	KT80RDSS	80mm Round Stainless Kaiteri
	KT100RDSS	100mm Round Stainless Kaiteri

Stainless on Plastic

	168.80SQS	80mm Square Stainless on PVC
	168.100SQS	100mm Square Stainless on PVC
	168.80RDS	80mm Round Stainless on PVC
	168.100RDS	100mm Round Stainless on PVC

Wakatipu

	WAKATIPU	80mm Stainless Steel Wakatipu
--	----------	-------------------------------



Invisidrain*

	INV80SS	80mm Stainless Invisidrain
	INV100SS	100mm Stainless Invisidrain

*Please consult your installer prior to selection to confirm dimensions. Literature for this product can be found online at allproof.co.nz.



Kaiteri

	KT100SR	100mm Round in Square Chrome Brass Kaiteri
	KT100RD	100mm Round Chrome Brass Kaiteri

Standard

	168.80RCPT	80mm Round Chrome
	168.100RCPT	100mm Round Chrome
	168.80SCPT	80mm Square Chrome
	168.100SCPT	100mm Square Chrome

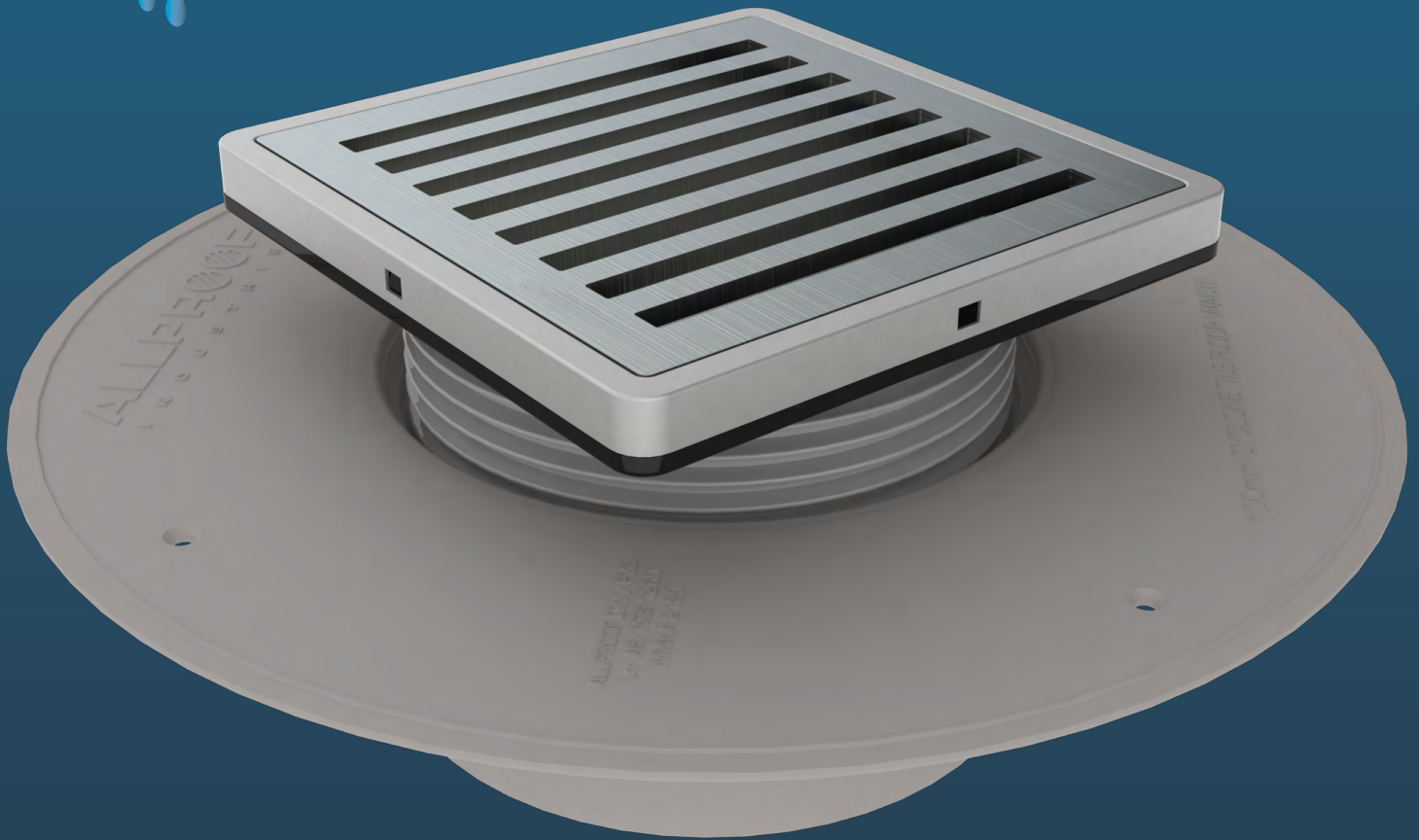


ALLPROOF

I N D U S T R I E S

cyclone

FLOOR WASTE SOLUTION



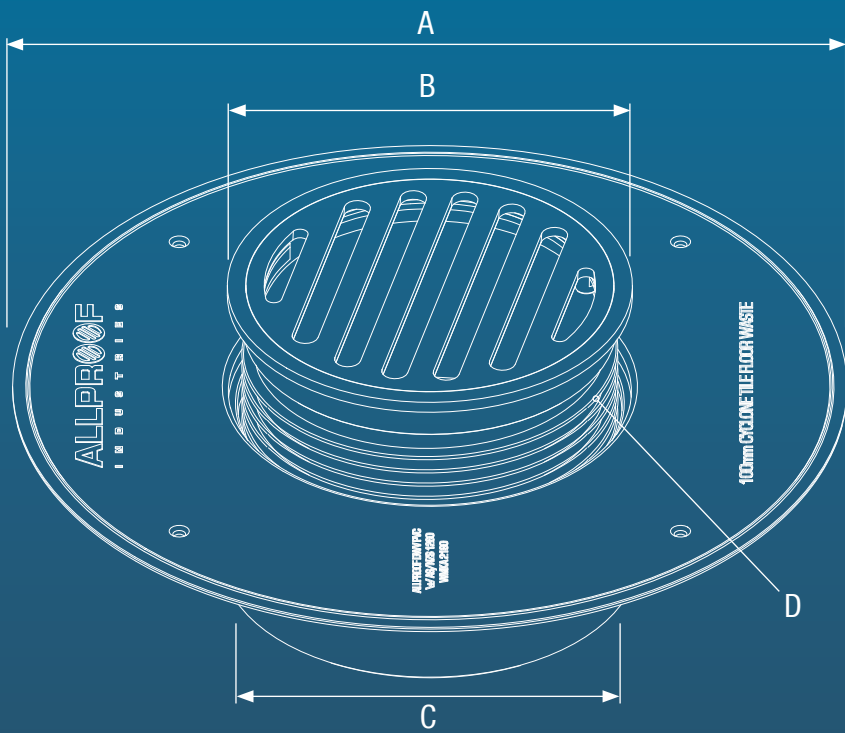
THE ULTIMATE TILE FLOOR WASTE SOLUTION

FEATURES

- Height adjustable threaded grate
- Spigot fit inside pipe
- No step down on flange
- Construction cap supplied
- Subtile drainage path through flange
- Textured finish on flange for adhesion of water-proofing membrane



WaterMark
WMKT21223
ATS5200.040



SIZE (mm)	50	80	100
Flange Diameter (A)	141	166	206
Grate Diameter (B)	71	71	100
Nominal Outlet Diameter (C)	50	80	100
Maximum Spigot Height (D)	27	35	38

Measurements based on chrome plated grates, please check allproof.com for dimensions of Elegance and Kaiteri grates.

GRATES	CODES	
	CYC100SS0	Cyclone 100mm Elegance Wire
	CYC100SS1 CYC80SS1 CYC50SS1	Cyclone 100mm Elegance Globe Cyclone 80mm Elegance Globe Cyclone 50mm Elegance Globe
	CYC100SS2 CYC80SS2 CYC50SS2	Cyclone 100mm Elegance Cross Cyclone 80mm Elegance Cross Cyclone 50mm Elegance Cross
	CYC100SS3 CYC80SS3 CYC50SS3	Cyclone 100mm Elegance Wave Cyclone 80mm Elegance Wave Cyclone 50mm Elegance Wave
	CYC100SS4 CYC80SS4 CYC50SS4	Cyclone 100mm Elegance Quarter Cyclone 80mm Elegance Quarter Cyclone 50mm Elegance Quarter
	CYC100SS5 CYC80SS5 CYC50SS5	Cyclone 100mm Elegance Straight Cyclone 80mm Elegance Straight Cyclone 50mm Elegance Straight
	CYC100SS6 CYC80SS6 CYC50SS6	Cyclone 100mm Elegance Diagonal Cyclone 80mm Elegance Diagonal Cyclone 50mm Elegance Diagonal
	CYC100SS7	Cyclone 100mm Elegance Plate
	CYC100INVSS*	Cyclone 100mm Elegance Invisidrain

	CYC50RC CYC80RC CYC100RC	Cyclone 50mm Round Chrome Cyclone 80mm Round Chrome Cyclone 100mm Round Chrome
	CYC50SC CYC80SC CYC100SC	Cyclone 50mm Square Chrome Cyclone 80mm Square Chrome Cyclone 100mm Square Chrome

	CYC100SRSS	100mm Round in Square Stainless Kaiteri
	CYC100RDSS	100mm Round Stainless Kaiteri

*Please consult your installer prior to selection to confirm dimensions



WaterMark
WMKT21223
ATS5200.040

ALL0020.02

ALLPROOF
INDUSTRIES



revolver



**COMPLETE
WITH
INTERNAL
TRAP**



WaterMark
WM 74706
AS2887

FEATURES

- Integrated puddle flange
- Squat 130mm install depth
- Grates to suit tile and vinyl applications
- Fully revolving outlet
- Simply solvent cement outlet to desired angle

THE PERFECT SOLUTION FOR VINYL AND TILE SHOWERS

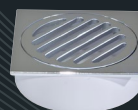
Please note when ordering your kit that grates supplied are designed specifically for this product and not interchangeable.

GRATE OPTIONS

CHROME ON BRASS



100RC



100SC



CPV (For Vinyl)

STAINLESS STEEL KAITERI



KTSRSS



KTRDSS

STAINLESS STEEL ELEGANCE



SS0 - Wire



SS1 - Globe



SS2 - Cross



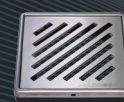
SS3 - Wave



SS4 - Quarter



SS5 - Straight



SS6 - Diagonal

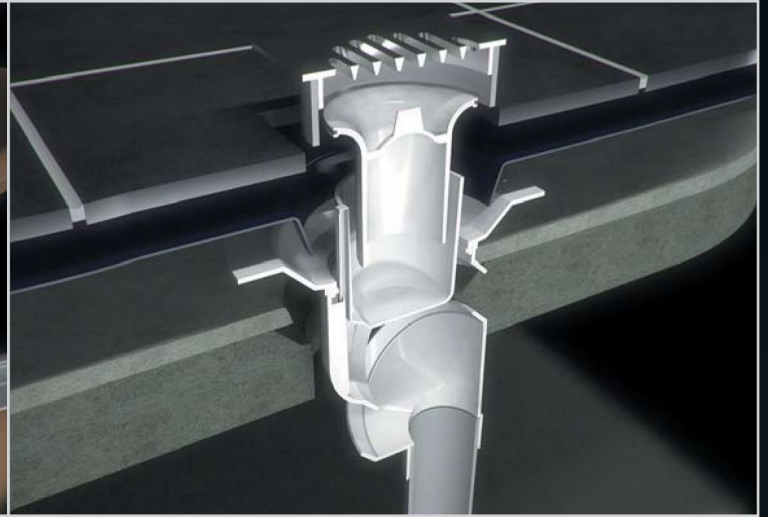
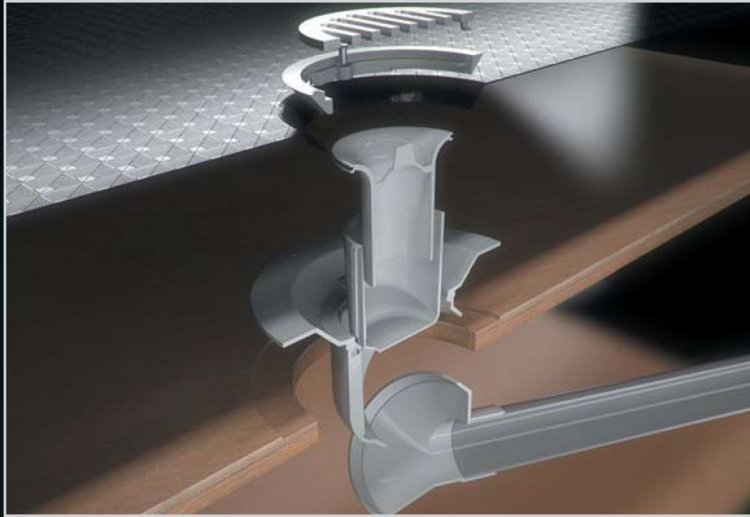


SS7 - Plate



Elegance
Invisidrain*

*Please consult your installer prior to selection to confirm dimensions



VINYL FEATURES

- Base features vinyl clamp ring
- Vinyl clamped using 3 x stainless steel screws
- Chrome on brass clamp ring/grate finishes flush with flooring
- Cam lock grate for easy access to waste without disturbing the vinyl

TILE FEATURES

- Base features 3 locating lugs for grate
- Locating lugs allow subtile moisture to escape through waste
- Flange area provides an excellent bonding surface for waterproofing membranes
- 10 quality grate options with easy cut height adjustable spigots

CODES

REVSCPT	Revolver Easy Clean SQ CP TILE
REVRCP	Revolver Easy Clean RD CP TILE
REVCPU	Revolver Easy Clean CP VINYL
REVINVSS	Revolver Elegance Invisidrain
REVSS0	Revolver Elegance Wire
REVSS1	Revolver Elegance Globe
REVSS2	Revolver Elegance Cross
REVSS3	Revolver Elegance Wave
REVSS4	Revolver Elegance Quarter
REVSS5	Revolver Elegance Straight
REVSS6	Revolver Elegance Diagonal
REVSS7	Revolver Elegance Plate
REVKTSRSS	Revolver Square Stainless Kaiteri
REVKTRDSS	Revolver Round Stainless Kaiteri

